

Thrust Ball Bearings

Bearing No. : **NACHI 53234U**

■ Bearing Type

■ Clearance

■ Tolerance Class

Dimensions

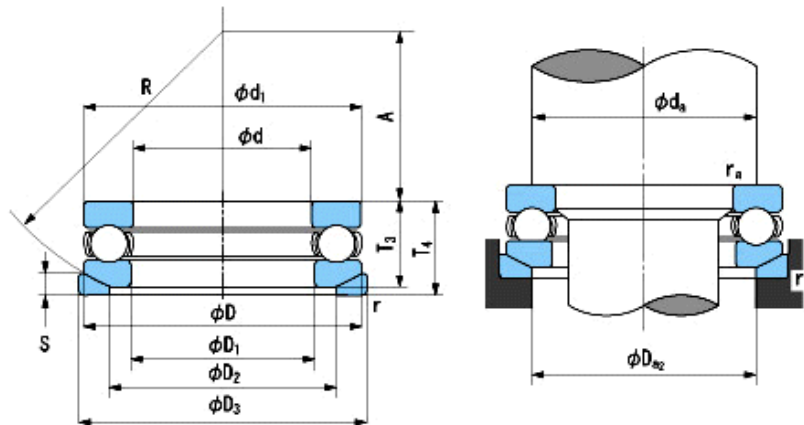
d = 170
0
-0.025

D = 240
0
-0.030

T3 = 58.7
T4 = 65
r = 1.5~3.5
(Radial Direction and Axial Direction)

d1(max) = 237
D1(min) = 173

D2 = 200
D3 = 250
S = 21.5
R = 180
A = 91



Dimensions
da(min) = 212
Da2(max) = 200
ra(max) = 1.5
Mass = 9.95 kg

Basic Dynamic Load Rating Ca : **261,000** N

Basic Static Load Rating Coa : **835,000** N

Limiting Speed ;

Grease Lubrication : **840** min⁻¹

Oil Lubrication : **1,200** min⁻¹

	INNER RING	OUTER RING
O.D.Surface Runout with Side :		-
Axial Runout with Bore :	-	
Axial Runout with Raceway :	-	
Width Variation :	-	
Radial Runout :	-	